



## A Single Source Based Asymmetric Multilevel Converter

Kamini Sahu and Mahendra Kumar Pradhan

Department of Electronics & Communication Engineering, MATS University, Gullu-Aarang, Raipur, India  
sahu.kamini04@gmail.com

---

### ABSTRACT

*This research paper of asymmetric multilevel converter describes about the new structure that can produce increased number of output voltage waveform using a single source and reduced number of power electronic components. In designing a multilevel converter, the power electronic switches play a very imperative role as it describes the installation area, cost, configuration complexity and may more things that play a significant role while designing. The prime function of multilevel converter is to abolish total harmonic distortion and to incorporate desired ac voltage from several separate dc sources. Each level consists of H-Bridge converter units. High efficiency, high voltage capability, lower switching losses are its prime advantages. A multilevel power converter structure can be introduced as an alternative in medium voltage and high power situations. This structure not only achieves high power ratings but also empower the use of renewable energy sources. It finds its basic application in adjustable speed drives, Static Var Compensator (STATCOM).*

**Key words:** Asymmetric, Multilevel Inverter, SVM, Cascaded H-Bridge

---

### INTRODUCTION

The researchers started working in the concept of multilevel converter in 1975[1]. The fundamental concept of a multilevel converter is to achieve high power. It uses a series of power semiconductor switches with several lower voltage dc sources to perform the power conversion. The multilevel converters can act as both a converter and an inverter. They can produce large number of output voltage levels with high voltage capability. The multilevel converters have more than two output voltage levels with respect to a reference point. The concept of multilevel converters began with the three level converters. For a medium voltage grid, it is difficult to associate only one power semiconductor switch directly. Thus, a multilevel power converter introduces a substitute in high power and medium voltage situations [2]. A multilevel converter finds several advantages over a conventional two level converter that uses high switching frequencies pulse width modulation (PWM) [3].

#### **Staircase Waveform Quality**

The converter not only generates output voltage with low distortion but also low dv/dt stress.

#### **Common-Mode (CM) Voltage**

The converters produce smaller common mode voltage; hence, the stress in the bearings of a motor connected to a multilevel motor drive can be reduced. The common mode voltage can be eliminated using the advanced modulation strategies.

#### **Input current**

Multilevel converter can tie input current with low distortion

#### **Switching Frequency**

The converters can operate at both principal switching frequency and high switching frequency PWM.

On the basis of configuration, the converters can be divided as symmetric, asymmetric and cascaded form multilevel converter [4]. The symmetric multilevel converter uses dc sources of similar values, while asymmetric multilevel converter uses dc sources of unequal values. The cascaded multilevel converter uses the configuration of either symmetric or asymmetric multilevel converter.

Multilevel converters also have some disadvantages. The greatest of them is the requirement of greater number of semiconductor switches [5]. Lower voltage rated switches can be utilized, but each switch will require a related gate drive circuit. This can increase the overall complexity and cost of the system. In general, there are three types of multilevel converters:

- (i) Neutral Point Clamped (NPC) converter
- (ii) Flying Capacitor (FC) converter
- (iii) Cascade H-Bridge (CHB) converter

The main drawback of NPC converter is the unequal voltage in the midst of series connected capacitors. Moreover, this structure needs large number of clamping diodes for higher levels [6]-[8]. Contrary to this, the FC converter requires large number of storage capacitors for higher output voltage levels and capacitor voltage balancing is difficult. Conventional cascade multilevel converter is the most important amongst the used topologies because it requires least number of components [9]. A cascaded multilevel converter comprises of H-bridge cells. The major drawback is that it requires large number of isolated dc supplies. This can increase the overall complexity of the system. So, to overcome it, split source capacitors are used [10].

Numerous studies have been made by the researchers for the control on multilevel converter. They can be different on the basis of configuration [11]. For asymmetric multilevel converter, voltage vector approximation technique is applied, which is a type of fundamental frequency control. Whereas for symmetric multilevel converter, both low switching and high switching frequencies are considered. These approaches include space vector modulation, multicarrier PWM strategy, amplitude control and harmonic reduction.

### PREVIOUS WORK

In the previous work of asymmetric multilevel converter, the level of output voltage waveform is raised up to 15 levels. IGBT's are used as the switches with a total of three sources. In case of asymmetric, the sources used were of unequal values. However, such type of structure requires large number of sources and switches as compared to cascade configuration. The previous topology suggested two main methods named as binary and trinary configuration. The asymmetric configuration can produce maximum number of output voltage levels with less number of switches when compared to symmetric multilevel converter. This configuration can also be used in renewable energy sources. Since this system used only one full bridge converter, it restricted the use of high power applications. Thus the previous configuration was suitable only for low voltage and medium voltage applications.

### PROPOSED 19 LEVEL ASYMMETRIC MULTILEVEL CONVERTER

The blocks diagram in Fig. 1 shows the proposed work of asymmetric multilevel converter. The proposed system of asymmetric multilevel converter consists of a single dc source. The asymmetric multilevel converter provides an optimized number of output voltage levels for the same number of power electronic devices when compared to its symmetric counterpart. It should be noted that a multilevel converter can act both as an inverter and a rectifier. The cascaded H-Bridge topology is used to get the desired number of levels. Each switch is comprised of H-bridge cells. Each block of switches is provided with a triggering pulse. The major disadvantage of cascaded H-bridge cells is that it requires greater number of isolated dc sources in the input side. The greater number of dc sources can increase the complexity of the circuit and cost. To minimize this complexity, split source capacitors are used. The main function of these capacitors is to equally divide the input voltage source amongst the power electronic switches. The methodology used in the multilevel converter is the space vector modulation technique.

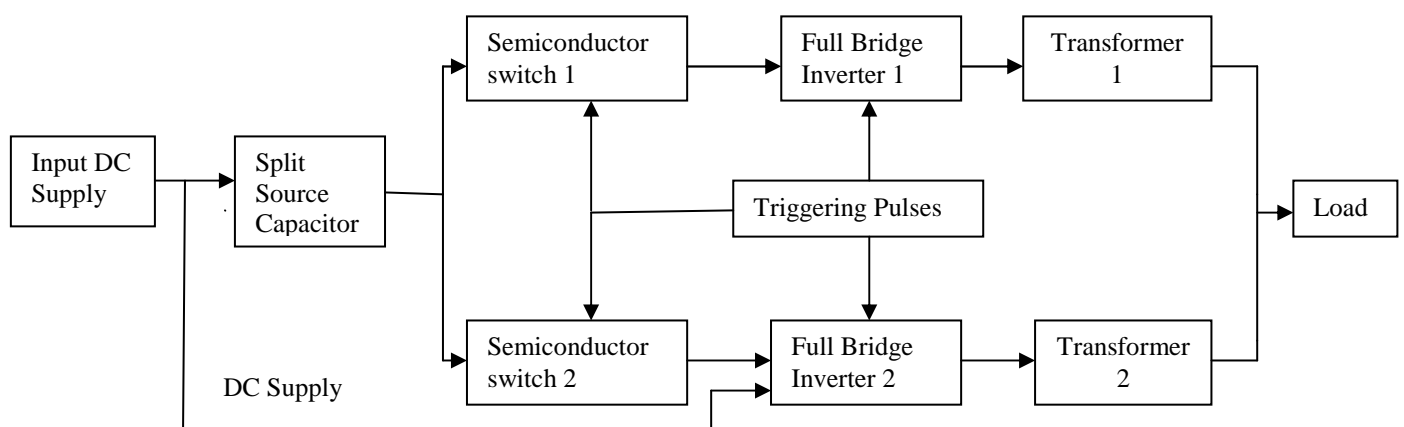


Fig. 1 Block Diagram of 19 Level Asymmetric Multilevel Converter

### EXPERIMENTAL METHOD

The space vector PWM technique is an algorithm for control of pulse width modulation. It is commonly used to drive 3 phase ac powered motors at alternating speeds from dc using multiple Class D amplifiers. One active area of development of SVM is in the reduction of total harmonic distortion (THD) created by rapid switching inherent to these algorithms (figure 2). An inverter is commonly used in variable speed AC motor drives to yield a variable, three phase, AC output voltage from a constant DC voltage. Basically, amplitude and frequency defines the two characteristics of AC voltage. Thus it is essential to work out a strategy on how to control both these quantities [13]. With a three phase voltage source inverter there are eight possible operating states. In (figure 4), the upper switch of the inverter's pole A is on whereas the lower switch is off. Contrary to this, on the other two legs, the upper switch is off while the lower switch is on for V (100) condition.

Because of the constraint that the input lines must at no time be shorted and the output current must always be continuous a voltage source inverter can assume only eight distinct topologies. Six out of these eight topologies yield a non-zero output voltage and are admitted as non-zero switching states and the remaining two topologies produce zero output voltage and are certified as zero switching states. The space vector modulation (SVM) for three-leg VSI is positioned on the representation of the three phase quantities as vectors in a two-dimensional ( $\alpha, \beta$ ) plane. This can be seen in the vector representation diagram. The voltages  $V_{ab}$ ,  $V_{bc}$  and  $V_{ca}$  are three line voltage vectors displaced by 120 degrees in space. The desired three phase voltages at the output of the inverter could be described by an equivalent vector  $V_{ref}$ . The reference vector is then synthesized using combination of two adjacent active switching vectors and one or both of the zero vectors. The magnitude of this vector is related to the degree of the output voltage and the time this vector takes to complete one revolution is the same as the principal time period of the output voltage.

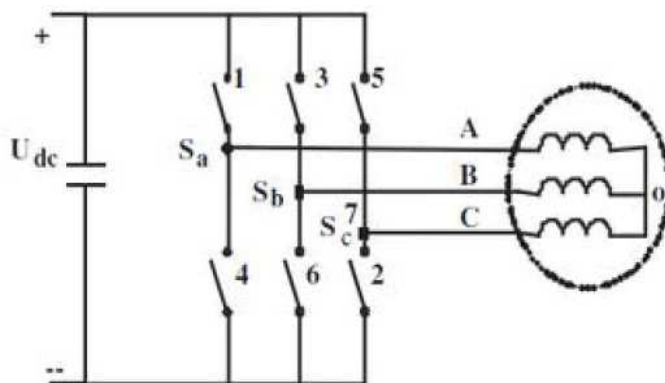


Fig. 2 Topology of a basic three phase inverter

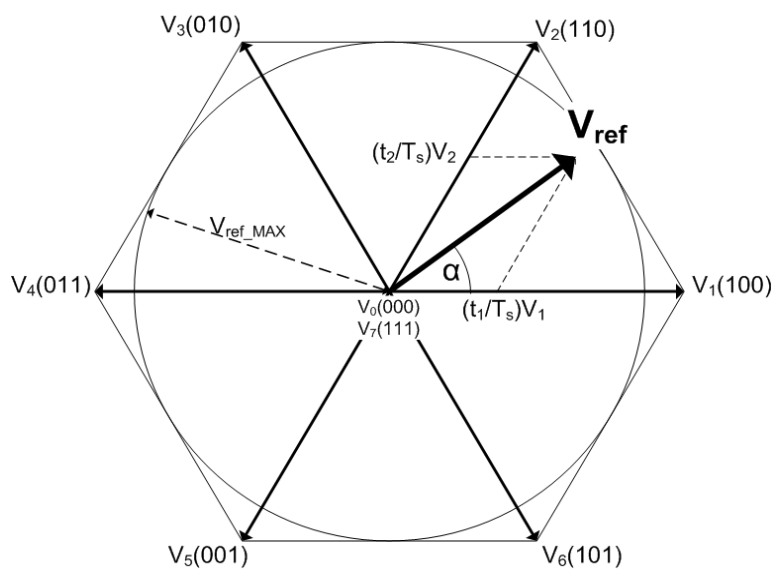


Fig.3 Vector Representation of SVM

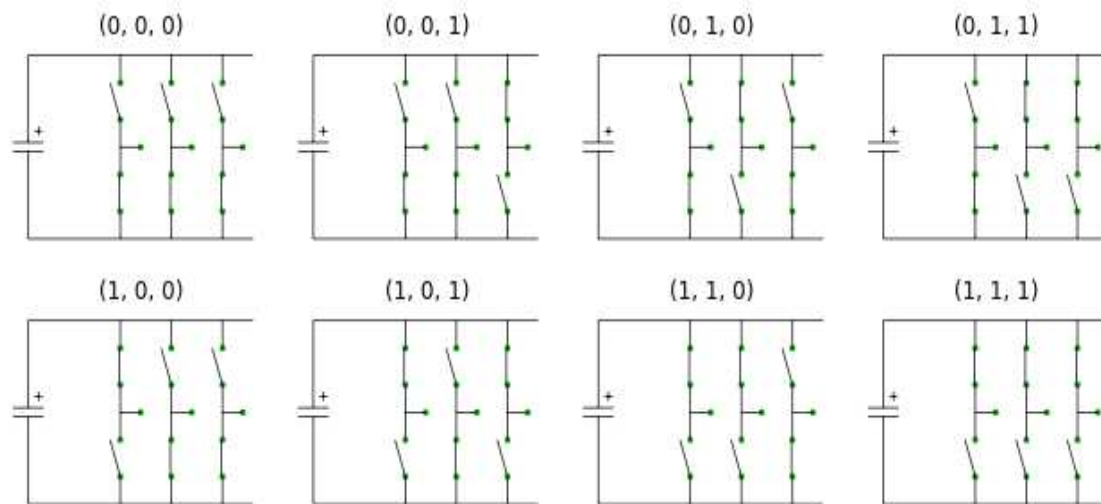


Fig. 4 Eight Possible Switching States

### EXPERIMENTAL SETUP

The diagram below shows the circuit diagram of the proposed system. The input dc source of 90 V is used. A total of nine split source capacitors are used. The main function of split source capacitor is to equally divide the input source to the switches. MOSFETs are used as the switches with the combination of diodes with it.

A total of thirty two diodes are used. Also twelve MOSFET switches are used. A subsystem designated as “Out1” is used to provide the pulses to the gate of MOSFET and input to the triggering pulses block. The diodes are such connected that they are anti parallel to each other. Some of the MOSFET switches are individually used and the pulses are given through the subsystem interconnected to it.

The voltage measurement and current measurement blocks are also used for ideal voltage and current measurement respectively. Series RL branch is also used to obtain the desired output. Finally the output is taken from the output voltage parameter.

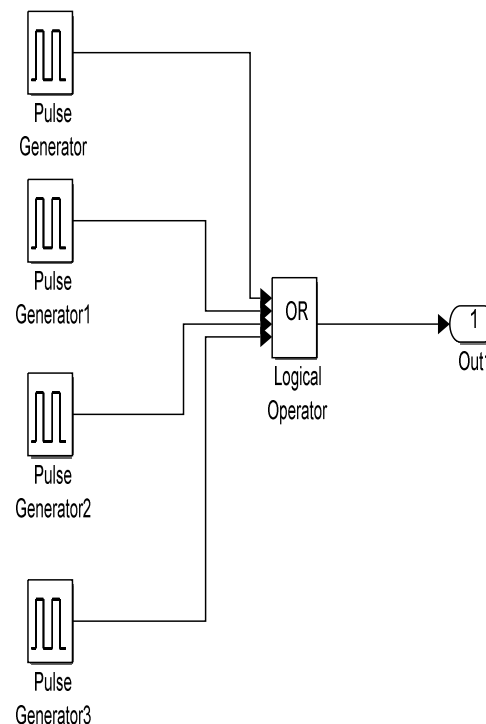
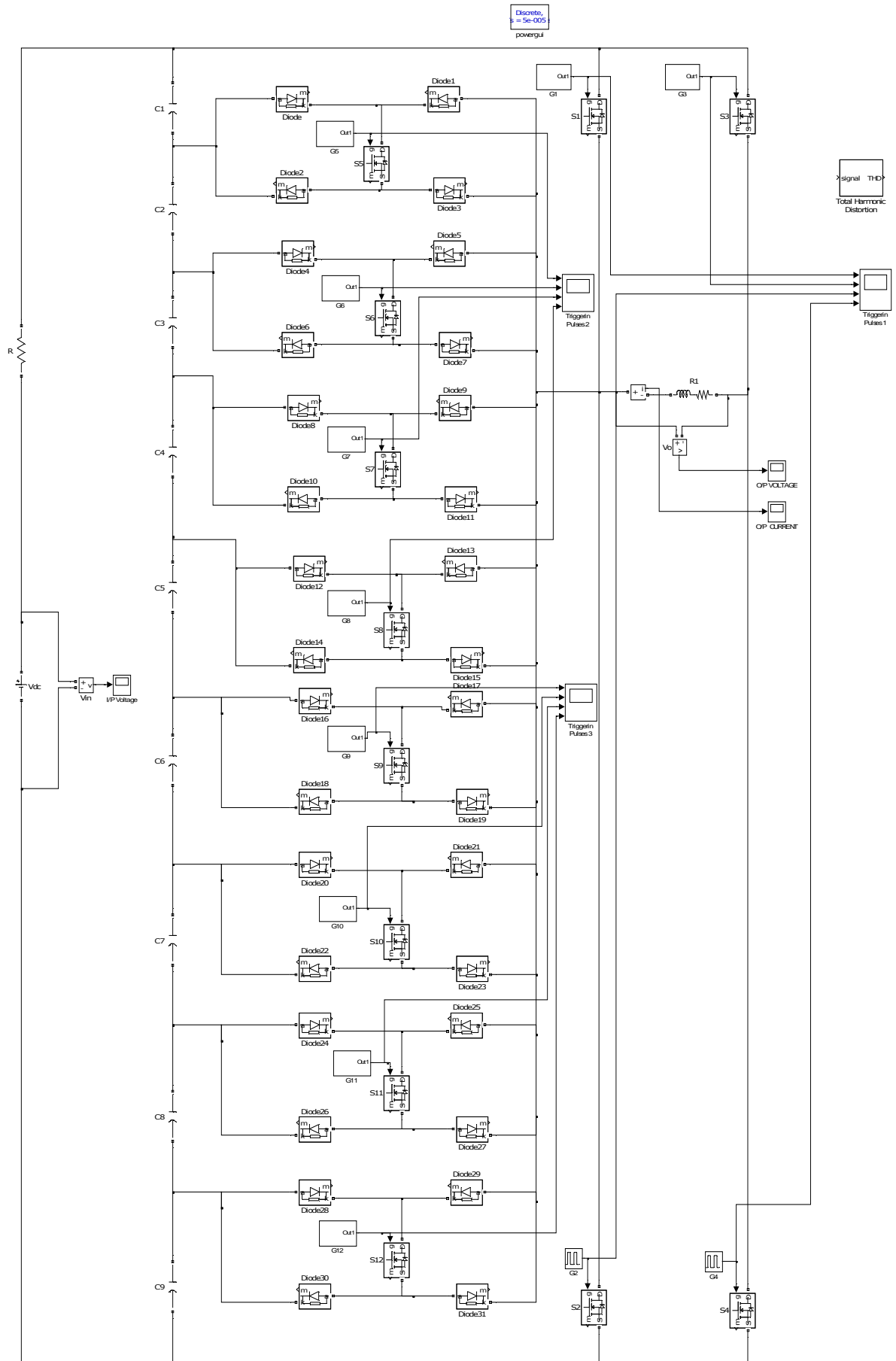


Fig.5 Subsystem of Generating Pulses



**Fig. 6** Circuit Diagram of Proposed System

### SIMULATION RESULTS

This section deals with the simulation results of the proposed 19 level asymmetric multilevel converter. Single dc source of value 90V is used as the input source. The value of output voltage frequency is 50 Hz. The proposed system uses thirty two diodes with a combination of twelve MOSFETs as switches. For this case, the THD of the output voltage based on simulation is 5.70%. The efficiency of the converter is based on the applied control strategy. This paper uses fundamental frequency control strategy. Thus the efficiency of the converter is high.

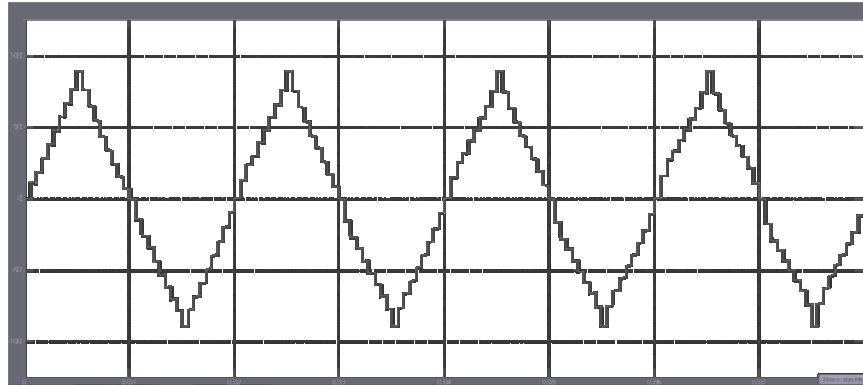


Fig.7 Output Voltage Waveform

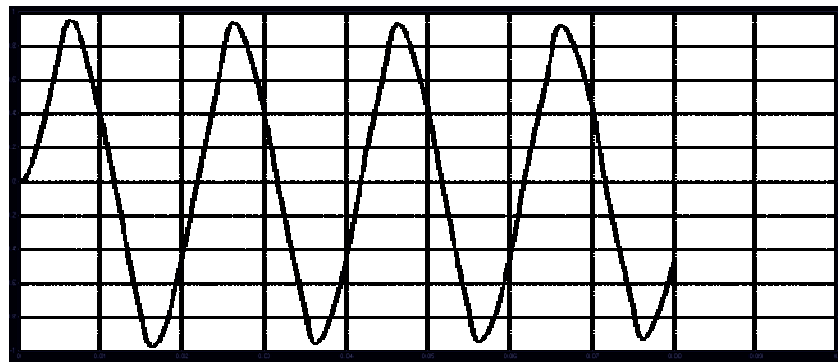


Fig. 8 Output Current Waveform

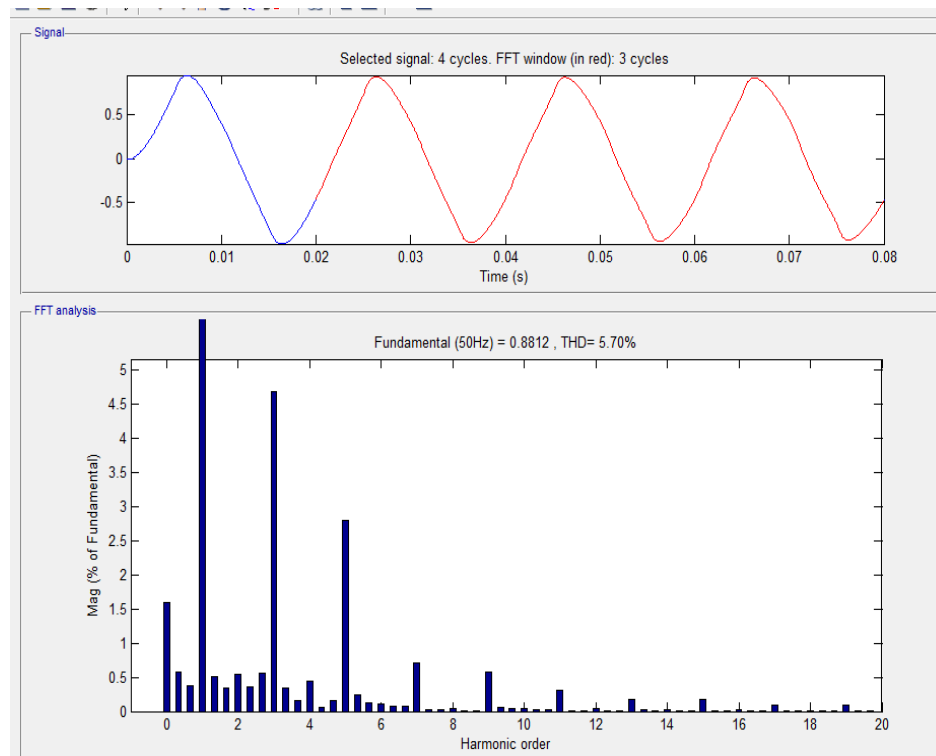


Fig.9 Harmonic Spectrum (THD 5.70%)

## CONCLUSION

This paper proposes a new structure for asymmetric multilevel converter. This new structure minimizes the use of dc source and also increases the levels of output voltage waveform. This system is suitable for medium and high voltage applications. Because of the use of single dc source and less number of switches, the overall cost and complexity of the system is reduced. The fundamental frequency control strategy increases the efficiency of the converter. The proposed design can be further used to raise the level of output voltage. Also other power electronic components like IGBT can be used in place of MOSFET. The proposed structure can also be changed to get the desired number of levels which can also minimize the total harmonic distortion.

## REFERENCES

- [1] RS Alishah, D Nazarpour and SH Hosseini, Novel Topologies for Symmetric, Asymmetric and Cascade Switched-Diode Multilevel Converter with Minimum Number of Power Electronic Components, *IEEE Transactions on Industrial Electronics*, **2014**, 61(10), 5300- 5310.
- [2] S Khomfoi and LM Tolbert, *Chapter-31 Multilevel Power Converters*, University of Tennessee, Publication: EECS, **2007**, 1-50.
- [3] V Vodovozov and R Jansikene, *Power Electronic Converters*, Publisher Tallinn: TUT, **2006**, 1-120.
- [4] MN Abdul Kadir, S Mekhilef and HW Ping, Dual Vector Control Strategy for a Three Stage Hybrid Cascaded Multilevel Inverter, *Journal of Power Electronics*, **2010**, 10(2), 155-164.
- [5] E Babaei, MT Haque and SH Hosseini, A Novel Structure for Multilevel Converter, *Proceedings of Eighth International Conference on Electrical Machines and Systems (ICEMS)*, **2005**, (2), 1278-1283.
- [6] MN Abdul Kadir, S Mekhilef and HW Ping, Voltage Control of Three Stage Hybrid Multilevel Inverter using Vector Decomposition, *IEEE Transactions on Power Electronics*, **2010**, 3(4), 601-611.
- [7] MD Manjrekar, PK Steimer and TA Lipo, Hybrid Multilevel Power Conversion System: A Competitive Solution for High Power Application, *IEEE Transactions on Industry Applications*, **2000**, 36(3), 834-841.
- [8] RA Ahmed, S Mekhilef and HW Ping, New Multilevel Inverter Topology with Reduced Number of Switches, *Proceeding of International Middle East Power System Conference*, **2010**, 565-570.
- [9] YS Lai and FS Shyu, Topology for Hybrid Multilevel Inverter, *Proceeding of International Electrical Engineering Electrical Power Application*, **2002**, 149(6), 449-458.
- [10] NK Basha and MA Nayeemuddin, A New Cascaded multilevel Inverter with Less Number of Switches, *International Journal of Research in Engineering and Technology*, **2013**, 2 (9), 159-165.
- [11] RA Ahmed, S Mekhilef and HW Ping, New Multilevel Inverter Topology with Less Number of Switches, *Proceedings of 14<sup>th</sup> International Middle East Power Systems Conference (MEPCON'10)*, Cairo University, Egypt, **2010**, Paper ID 236, 565-570.
- [12] H Karaca, A Novel Topology for Multilevel Inverter with Reduced Number of Switches, *Proceedings of World Congress on Engineering and Computer Science (WCECS)*, San Francisco, USA, **2013**, 350-354.
- [13] *Implementing Space Vector Modulation with the ADMCF32X*, © Analog Devices Inc., **2000**, 1-22.